

Client ID: 1056

Illinois Dept of Agriculture Bin Capacity Chart

08/19/2009 02:11:39 PM

Exam Date:08/14/2009
Examiner: 51

Ritchie Grain Elevator Inc.
34511 Elevator Rd.
Wilmingtion , IL
County: Will

Page: 3

Status	Section	Bin Number	Bin Type	Base Point	Diameter or Bu/Ft (lreg).	Length	Width	Side wall	Add for Hopper	Depth for Obst.	Effective Depth	Add for Peak	Depth for Capac.	Bushels per Foot	Base Pack%	Bushel Capacity with Pack
--------	---------	------------	----------	------------	---------------------------	--------	-------	-----------	----------------	-----------------	-----------------	--------------	------------------	------------------	------------	---------------------------

Facility: Ritchie Sta.

Section: B

B	02	Peaked	Zero:Top of lowside of		48.000	0.000	0.000	59.20	0.00	0.00	59.200	3.400	62.6	1454.6	10.0	100,164		
B	03	Peaked	-0-		48.000	0.000	0.000	59.20	0.00	0.00	59.200	3.400	62.6	1454.6	10.0	100,164		
B	04	Peaked	-0-		48.000	0.000	0.000	59.20	0.00	0.00	59.200	3.400	62.6	1454.6	10.0	100,164		
B	06	Peaked	-0-		48.000	0.000	0.000	59.20	0.00	0.00	59.200	3.400	62.6	1454.6	10.0	100,164		
B	07	Peaked	-0-		48.000	0.000	0.000	59.20	0.00	0.00	59.200	3.400	62.6	1454.6	10.0	100,164		
B	08	Peaked	-0-		48.000	0.000	0.000	59.20	0.00	0.00	59.200	3.400	62.6	1454.6	10.0	100,164		
B	09	Peaked	Zero: top of		18.000	0.000	0.000	40.70	2.30	0.00	43.000	1.100	44.1	204.6	6.00	9,564		
B	10	Peaked	-0-		48.000	0.000	0.000	59.40	0.00	0.00	59.400	3.400	62.8	1454.6	10.0	100,484		
B	11	Peaked	-0-		90.000	0.000	0.000	48.60	0.00	0.00	48.600	6.300	54.9	5113.9	10.0	308,828		
B	12	Peaked	Top of sidewall		105.00	0.000	0.000	66.00	0.00	0.00	66.000	7.400	73.4	6960.6	10.0	561,999		
B	13	Peaked	Top of sidewall		105.00	0.000	0.000	84.00	0.00	0.00	84.000	7.400	91.4	6960.6	10.0	699,819		
B	14	Peaked	Top of sidewall		105.00	0.000	0.000	84.00	0.00	0.00	84.000	7.400	91.4	6960.6	10.0	699,819		
													Bin count: 12					
															Facility: Ritchie Sta. Section: B Total:		2,981,497	
													To Even:				2,982,000	

Overall Licensed Bin Capacity for:
Ritchie Grain Elevator Inc.

Bin count: 30

Licensed Capacity: 3,966,762 Bu.
(includes pack)

Licensed Capacity (to even): 3,969,000 Bu.
(includes pack and section totals are rounded up to next highest 1000)

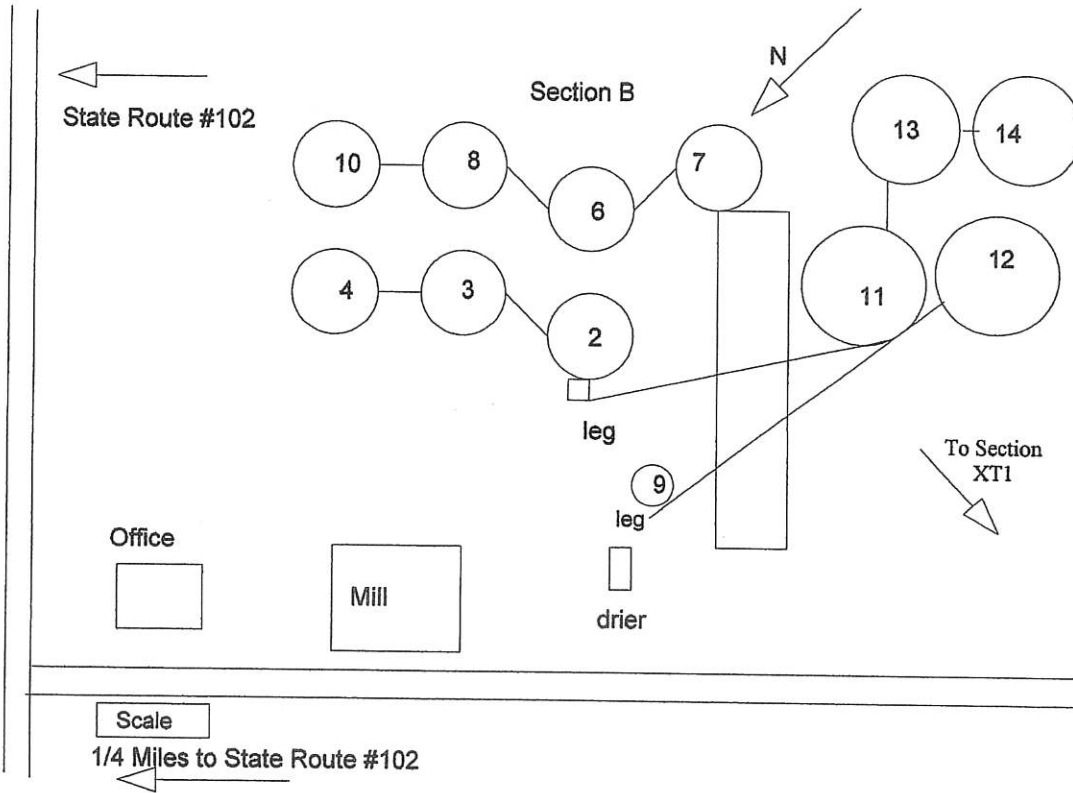
WAREHOUSE DIAGRAM

12/94

NAME Ritchie Grain Elevator, Inc.
 MAIN LOCATION
 Wilmington, Il.

SITE LOCATION
 Wilmington, Il.

WH # 1351 GD # 8255 CCC # 8-0934 TRVL FILE # 1056



#2 THRU #8 - TOP OF LOWSIDE OF HATCH
 #9 THRU #14 - TOP OF SIDEWALL.

DATE of ORIGINAL	DATE of AMEND	EXAMINER
03/20/78	01/19/99 10/25/2000 10/23/2006	R. Jensen RAJ RAJ
	03/13/96 10-24-05 11/01/2007	AGJ KC RAJ